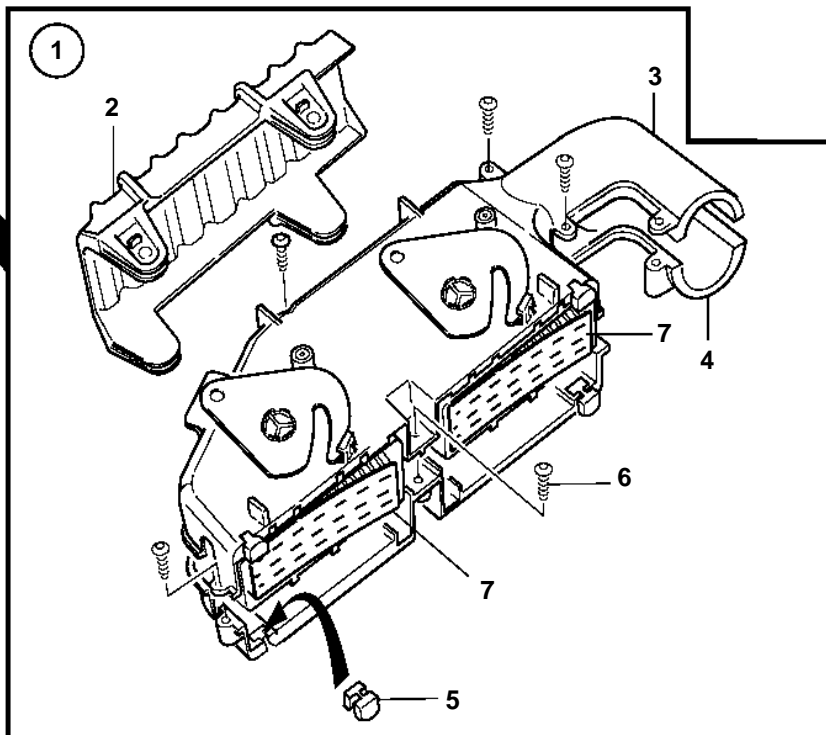
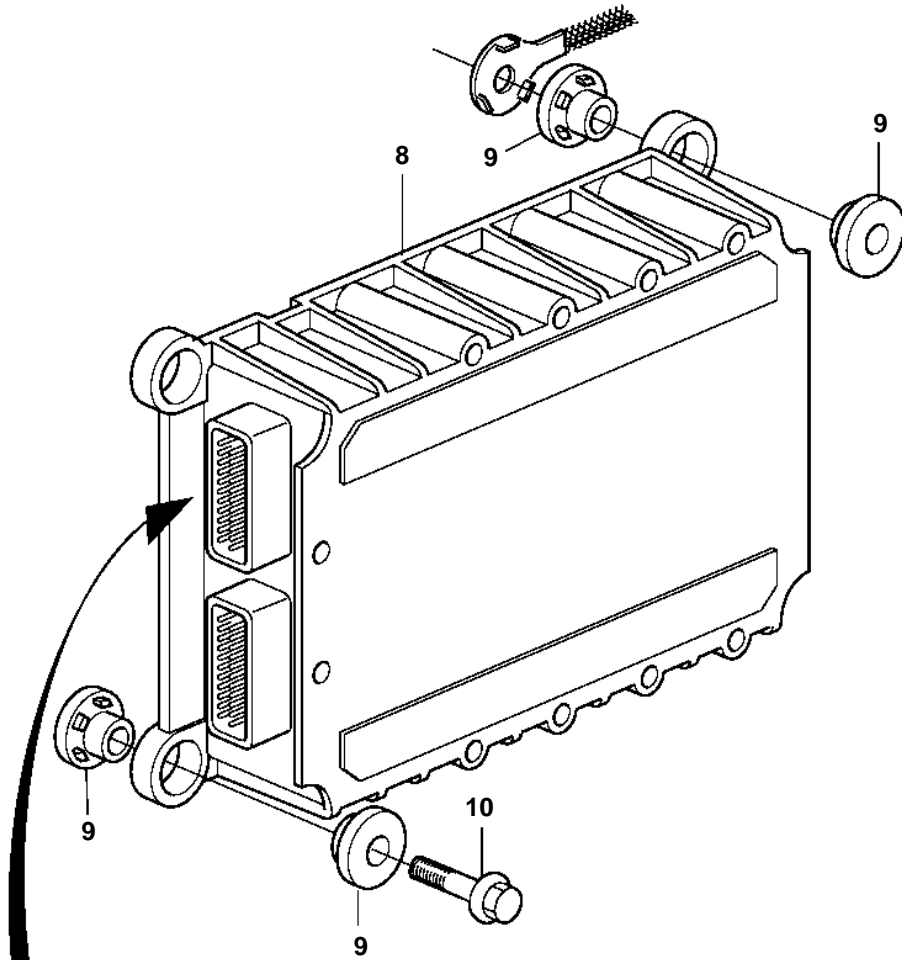


D12D-A MH



D12D-A MH

REF	PART NO.	QTY	DESCRIPTION	NOTES
1		1	Switch	
2	3199185	1	• Handle	
3	3173907	1	• Cover	
4	3173908	1	• Cover	
5	3173913	4	• Vibration damper	
6	975367	5	• 6 point socket screw	
7		2	• Pin housing	
8	3838691	1	Engine control modul	405kW (550hp) 1900 RPM, REPL BY (20577134)
	3838692	1	Engine control modul	331kW (450hp) 1800 RPM, REPL BY (20577134)
	3838693	1	Engine control modul	294kW (400hp) 1800 RPM, REPL BY (20577134)
9	3095161	4	• Rubber cushion	
10	948217	4	Flange screw	